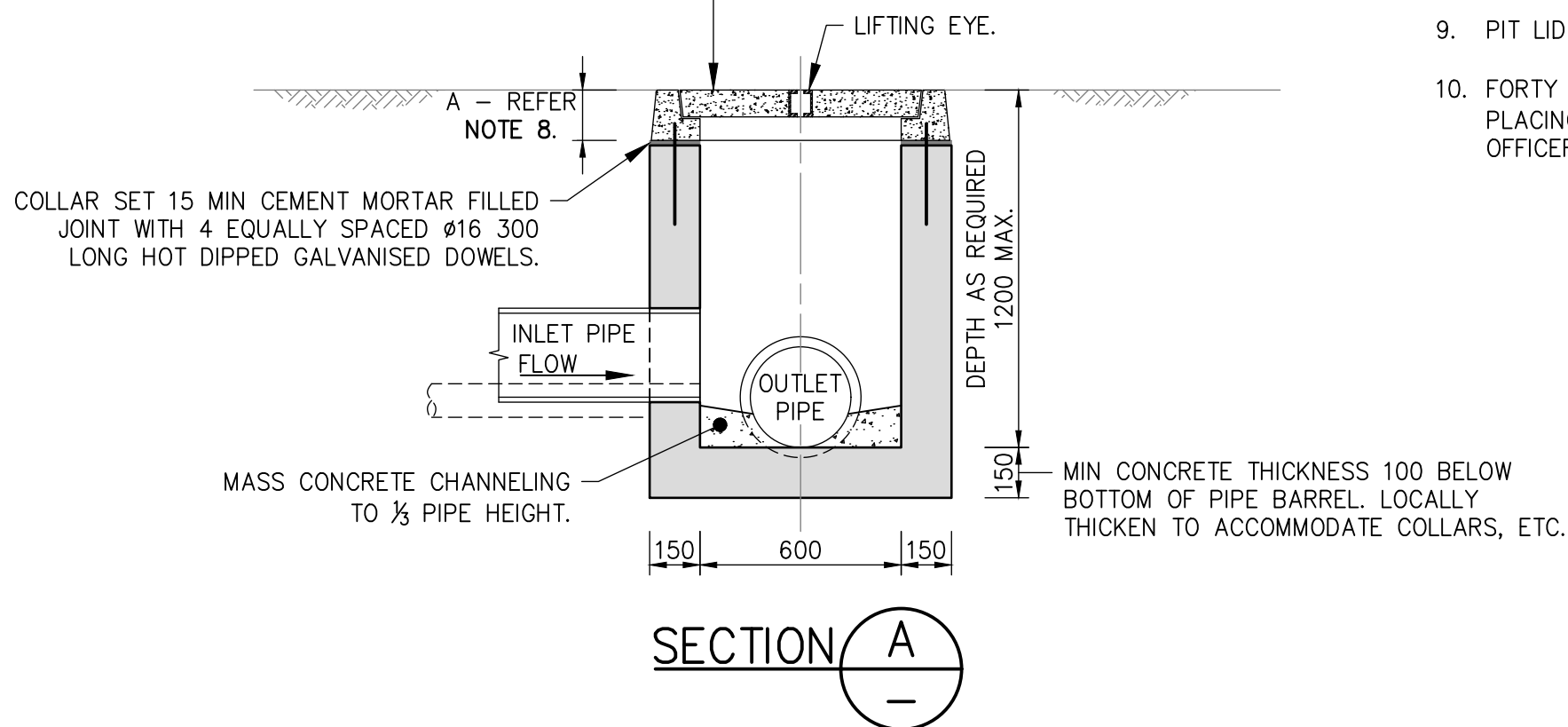


MANHOLE COVER AND COLLAR, REFER NOTE 8 & 9.
TO CONFORM WITH FINISHED SURFACE LEVELS.



NOTES:

1. ALL DIMENSIONS ARE IN MILLIMETRES.
2. THIS DRAWING APPLIES TO A MAXIMUM PIPE SIZE OF $\phi 450$, AND A MAXIMUM PIT DEPTH OF 1200.
3. REFER TO DRAWING No. SD116 FOR OTHER STANDARD DETAILS WHERE PIT DEPTH OR INTERNAL DIMENSIONS VARY.
4. $\phi 100$ SUBSOIL DRAINAGE PIPE 3000 LONG, WRAPPED IN FABRIC SOCK TO BE PROVIDED IN PIPE TRENCHES ADJACENT TO ALL INLET PIPES.
5. PROVIDE STEP IRONS WHERE PIT DEPTH EXCEEDS 1200.
6. UNDER NO CIRCUMSTANCES SHALL PRECAST CONCRETE OR PLASTIC PITS BE USED IN PUBLIC ROADS OR CAR PARKS.
7. COMPRESSIVE STRENGTH OF CONCRETE $F'_c = 25MPa$ AT 28 DAYS.
8. THIS PIT MAY BE USED IN PRIVATE PROPERTY INTERALLOTMENT DRAINAGE USING LIGHT DUTY CONCRETE LID AND COLLARS. DIMENSION 'A' = 150. WHERE THE LID IS SUBJECT TO VEHICLE TRAFFIC, SUCH AS IN FOOTPATHS, CAR PARKS OR ROAD PAVEMENT, FIT CLASS D CONCRETE FILLED 'GATTIC' LID OR SIMILAR.
9. PIT LID SHALL HAVE THE WORD 'STORM' CAST INTO THE TOP.
10. FORTY EIGHT (48) HOURS NOTICE IS TO BE GIVEN PRIOR TO THE PLACING OF CONCRETE TO ALLOW FOR INSPECTION BY COUNCIL'S OFFICER.

A	REVISED ISSUE	TZ	25/01/21
ISSUE	AMENDMENTS	DRAWN	DATE



DRAWNTZ..
SCALE1:20..
SHEET SIZE: **A3**

APPROVED
[Signature]
GROUP MANAGER
INFRASTRUCTURE SERVICES
D.L.

WINGECARRIBEE SHIRE COUNCIL			
STANDARD DRAWING INTERALLOTMENT DRAINAGE JUNCTION PIT			
DATE: 25/01/2021	PLAN No: SD126	SHEET 1 OF 1	ISSUE A