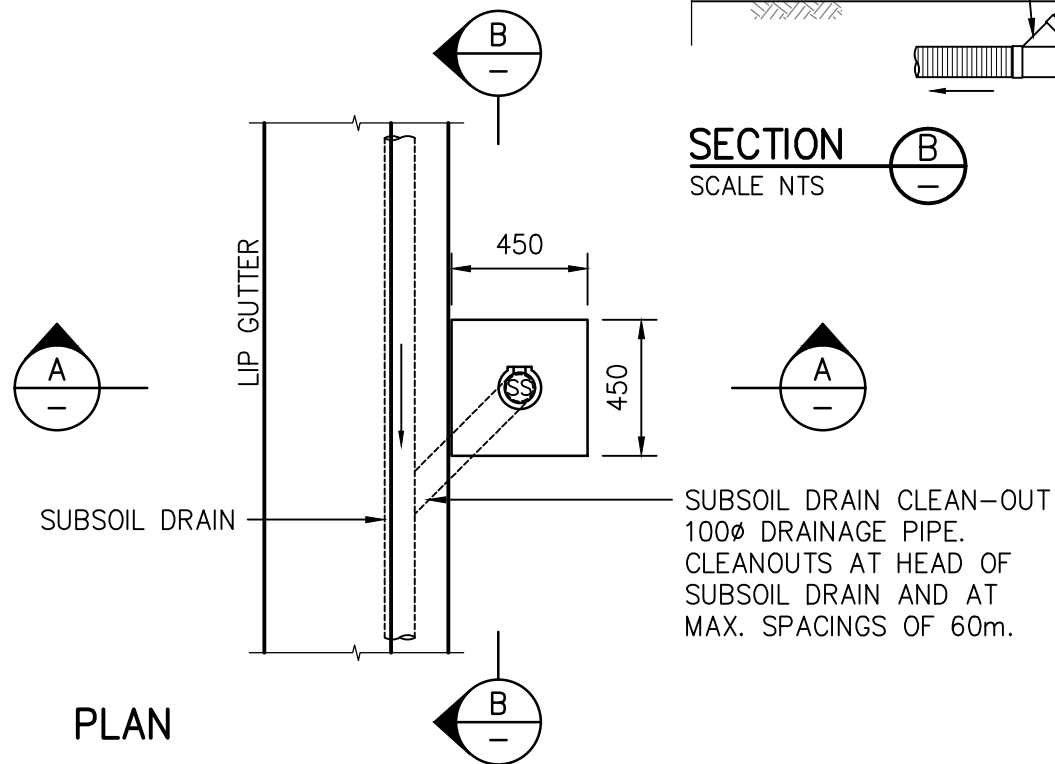


**SUBSOIL DRAIN CLEAN-OUT DETAIL
- RURAL ROADS**

NOTE:

1. SUBSOIL DRAINS ARE TO BE CONSTRUCTED IN ACCORDANCE WITH WSC ENGINEERING CONSTRUCTION SPECIFICATION: 1172-SUBSOIL AND FORMATION DRAINS.
2. SUBSOIL DRAINS ARE TO BE LAYED AT A MINIMUM GRADE OF 1% AND HAVE FLUSHING POINTS AT THE UPSTREAM END AND AT REGULAR INTERVALS AS PER TABLE BELOW.
3. SUBSOIL DRAINS ARE TO BE CONNECTED INTO STORMWATER PITS AT THE BASE OF THE PIT OR OUTLET STRUCTURES.
4. UPVC PIPES AND FITTINGS ARE TO HAVE A PIPE STIFFNESS CLASS OF SN4 OR GREATER AS SPECIFIED IN AS/NZS 1254-2010, TABLE 3.2.



**SUBSOIL DRAIN CLEAN-OUT DETAIL
- URBAN ROADS**

FLUSHING POINT & OUTLET SPACINGS		
GRADE (%)	FLUSHING POINT MAX. SPACING (m)	OUTLET MAX. DISTANCE (m)
0 - 1	25	50
1 - 2	35	70
2 - 5	60	120
> 5	60	120

A	ORIGINAL DRAWING	KSC	25/01/21
ISSUE	AMENDMENTS	DRAWN	DATE



DRAWN KSC
NOT TO SCALE
SCALE
SHEET SIZE: **A3**

APPROVED
[Signature]
GROUP MANAGER
INFRASTRUCTURE SERVICES
D.L.

WINGECARRIBEE SHIRE COUNCIL			
STANDARD DRAWING			
SUBSOIL DRAINAGE STRUCTURE			
FLUSHING POINT DETAILS			
DATE: 25/01/2021	PLAN No: SD120D	SHEET 4 OF 5	ISSUE A