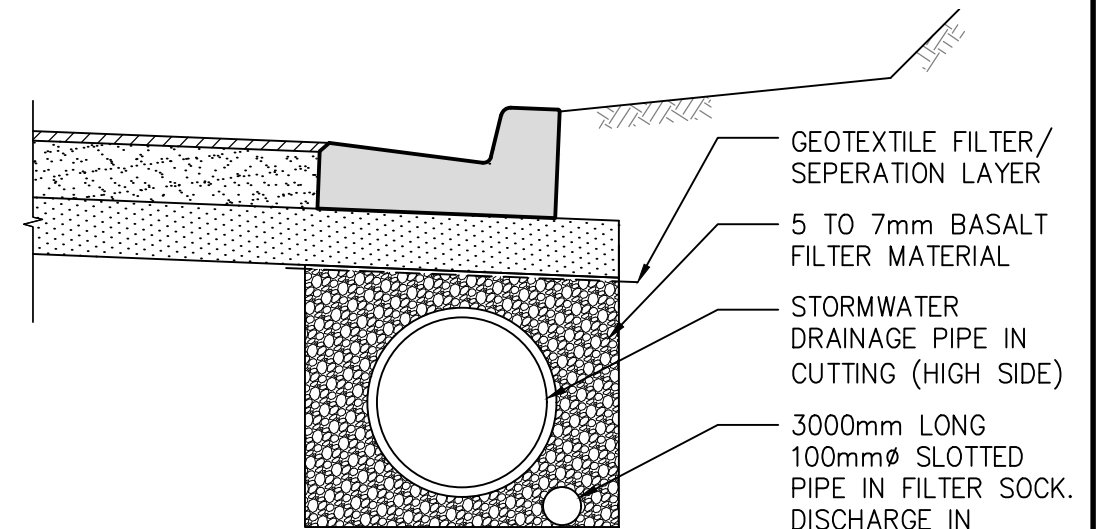
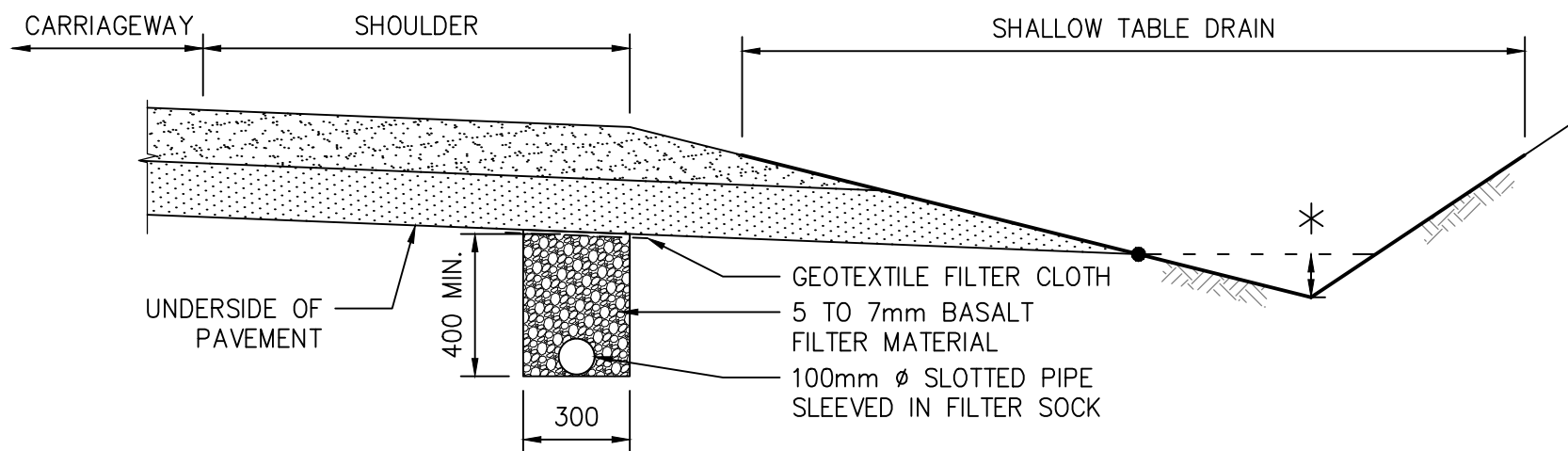


\* WHERE MINIMUM 400mm DEPTH OF TABLE DRAIN BELOW UNDERSIDE OF ROAD/SHOULDER PAVEMENT IN CUTTING (HIGH SIDE) CANNOT BE MET, PROVIDE SUBSOIL DRAINAGE TO PREVENT SATURATION OF SUBGRADE AND PAVEMENT.

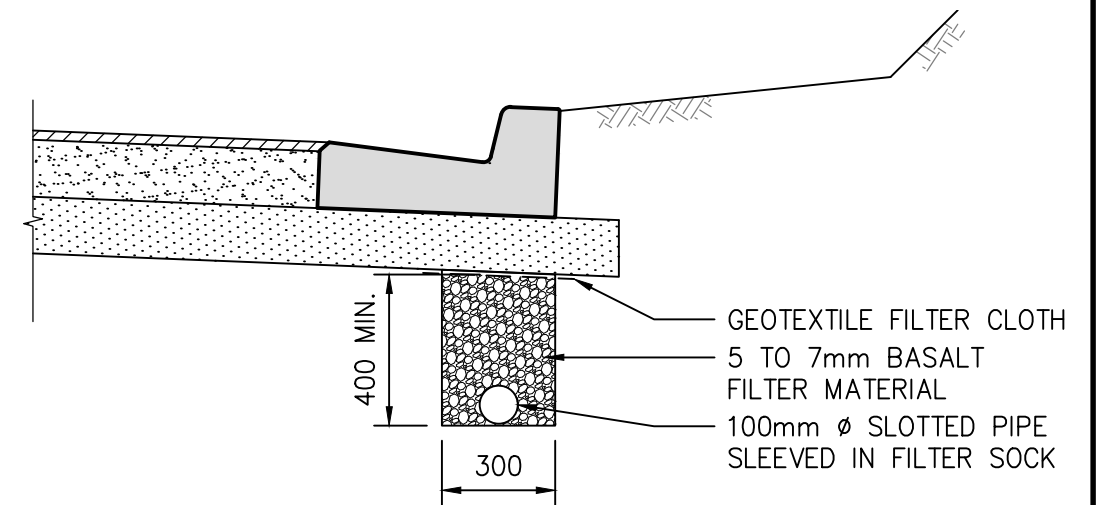
**DEEP TABLE DRAIN DETAIL – RURAL ROADS**



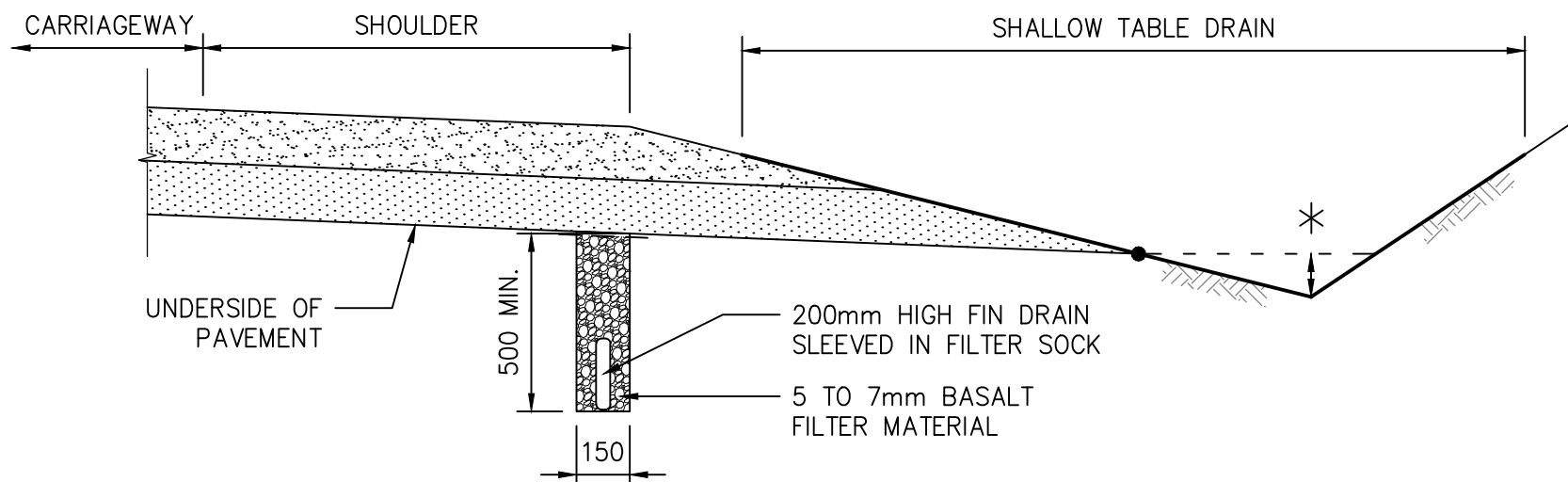
**STORMWATER PIPE DETAIL – URBAN ROADS**



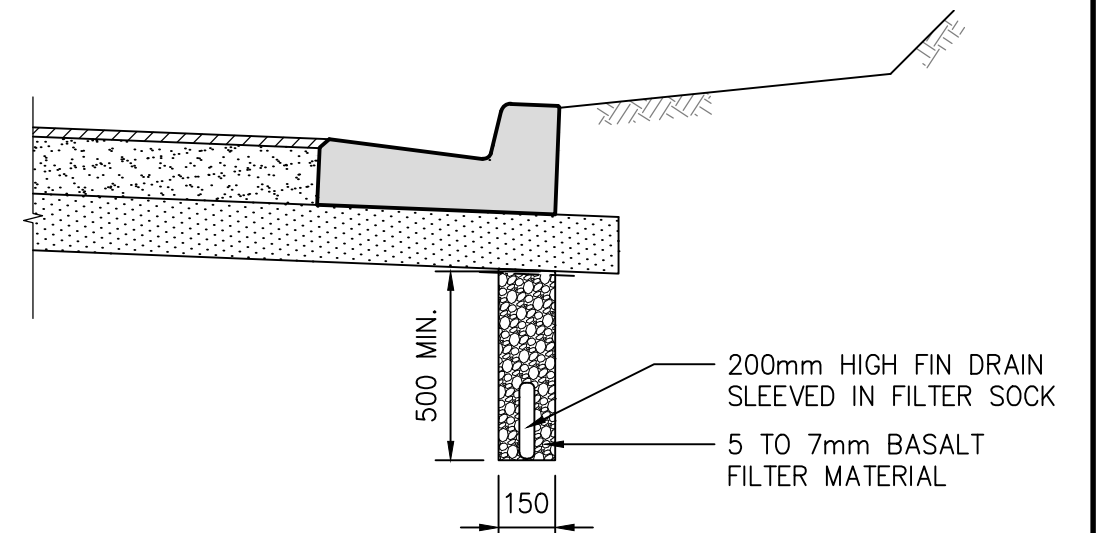
**SUBSOIL DRAIN TYPE A – RURAL ROADS**



**SUBSOIL DRAIN TYPE A – URBAN ROADS**



**SUBSOIL DRAIN TYPE B – RURAL ROADS**



**SUBSOIL DRAIN TYPE B – URBAN ROADS**

A	ORIGINAL DRAWING	KSC	25/01/21
ISSUE	AMENDMENTS	DRAWN	DATE



DRAWN KSC  
NOT TO SCALE  
SCALE  
SHEET SIZE: **A3**

APPROVED  
*[Signature]*  
GROUP MANAGER  
INFRASTRUCTURE SERVICES  
D.L.

WINGECARRIBEE SHIRE COUNCIL			
STANDARD DRAWING SUBSOIL DRAIN TYPES			
DATE: 25/01/2021	PLAN No: SD120C	SHEET 3 OF 5	ISSUE <b>A</b>