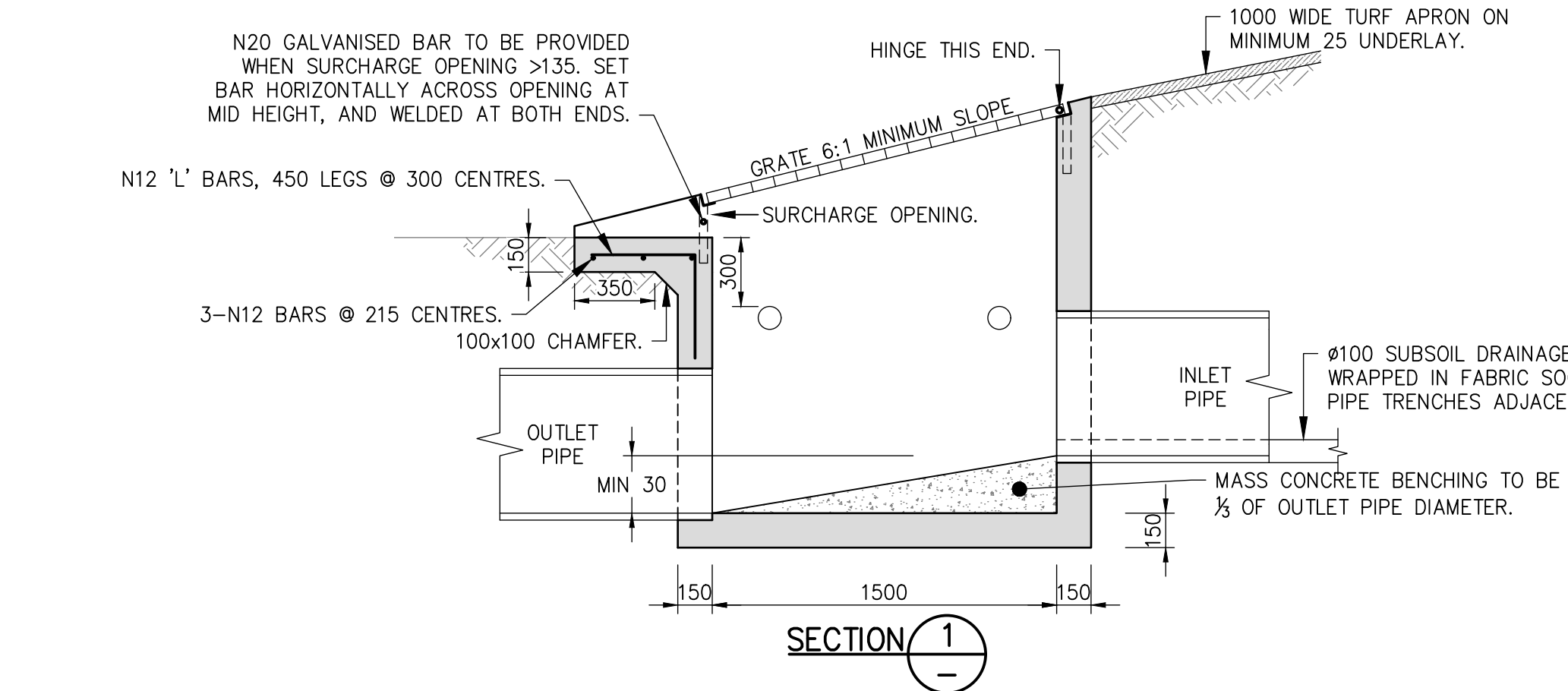


PLAN



SECTION 1

NOTES:

1. THIS DRAWING APPLIES TO A MINIMUM PIPE SIZE OF $\phi 675$ ON A MAXIMUM PIT DEPTH OF 2400. WHERE PIPE AND PIT SIZES EXCEED THESE VALUES REFER TO SD116.
2. DIMENSIONS ARE IN MILLIMETRES.
3. COMPRESSIVE STRENGTH OF CONCRETE $F'c = 25MPa$ AT 28 DAYS.
4. REFER TO DRAWING No. SD116 FOR GENERAL DETAILS AND DIMENSION NOT SHOWN ON THIS DRAWING.
5. ALL PITS ARE TO BE PROVIDED WITH A LOCKING CLIP.
6. PROVIDE STEP IRONS WHERE PIT DEPTH EXCEEDS 1200.
7. UNDER NO CIRCUMSTANCES SHALL PRECAST CONCRETE PITS OR PLASTIC PITS BE USED IN PUBLIC ROADS OR CAR PARKS.
8. FORTY EIGHT (48) HOURS NOTICE IS TO BE GIVEN PRIOR TO THE PLACING OF CONCRETE TO ALLOW FOR INSPECTION BY COUNCIL'S OFFICER.

				APPROVED GROUP MANAGER INFRASTRUCTURE SERVICES D.L.	WINGECARRIBEE SHIRE COUNCIL				
DRAWNTZ.. SCALE1:25. SHEET SIZE: A3				STANDARD DRAWING SURCHARGE PIT					
A	REVISED ISSUE	TZ	25/01/21	DATE: 25/01/2021		PLAN No: SD114		SHEET 1 OF 1	ISSUE A
ISSUE	AMENDMENTS	DRAWN	DATE						