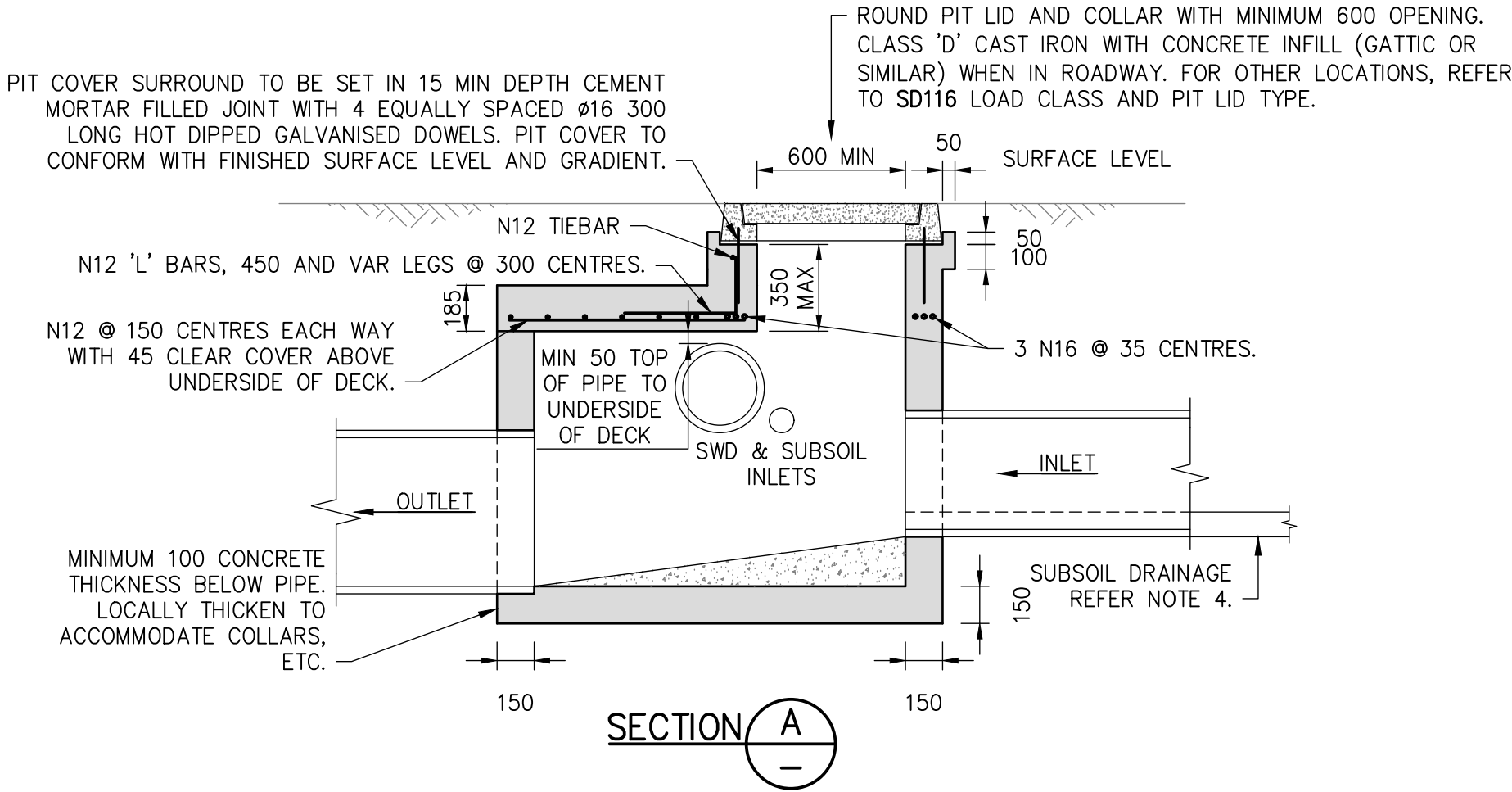




PLAN



SECTION A

NOTES:

1. ALL DIMENSIONS ARE IN MILLIMETRES.
2. THIS DRAWING APPLIES TO A MAXIMUM PIPE SIZE OF Ø675 AND A MAXIMUM PIT DEPTH OF 2400.
3. REFER TO DRAWING No. SD116 FOR OTHER STANDARD DETAILS WHERE PIT DEPTH OR INTERNAL DIMENSIONS VARY.
4. Ø100 SUBSOIL DRAINAGE PIPE 3000 LONG, WRAPPED IN FABRIC SOCK TO BE PROVIDED IN PIPE TRENCHES ADJACENT TO ALL INLET PIPES.
5. PROVIDE STEP IRONS WHERE PIT DEPTH EXCEEDS 1200.
6. UNDER NO CIRCUMSTANCES SHALL PRECAST CONCRETE OR PLASTIC PITS IN PUBLIC ROADS OR CAR PARKS.
7. COMPRESSIVE STRENGTH OF CONCRETE $F'c = 25\text{MPa}$ AT 28 DAYS.
8. FORTY EIGHT (48) HOURS NOTICE IS TO BE GIVEN PRIOR TO THE PLACING OF CONCRETE TO ALLOW FOR INSPECTION BY COUNCIL'S OFFICER.
9. PIT LID SHALL HAVE THE WORD "STORM" CAST INTO THE TOP.

				APPROVED  GROUP MANAGER INFRASTRUCTURE SERVICES D.L.	WINGECARRIBEE SHIRE COUNCIL STANDARD DRAWING JUNCTION PIT					
A	REVISED ISSUE	TZ	25/01/21	DRAWNTZ..	SCALE1:25..	SHEET SIZE: A3	DATE: 25/01/2021	PLAN No: SD113	SHEET 1 OF 1	ISSUE A