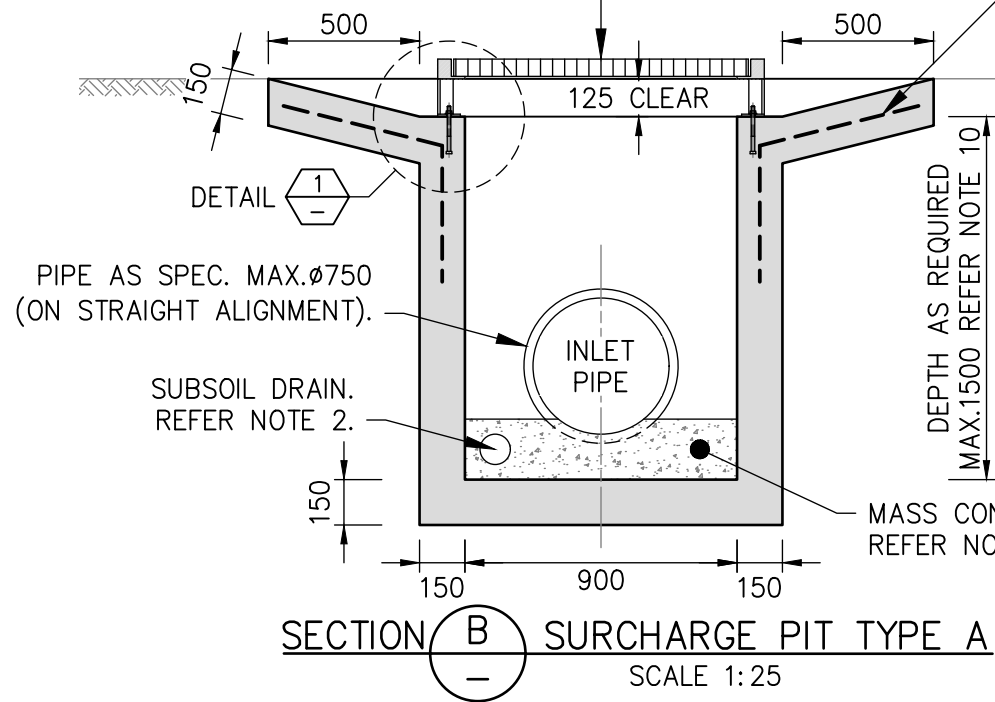


PLAN SURCHARGE PITS TYPE A,B,C  
SCALE 1:25

'WELDLOK' OR SIMILAR SURCHARGE PIT COVER AND FRAME TO MANUFACTURER'S STANDARD DRAWING AS PER GRATE TYPE IN TABLE.



SECTION B SURCHARGE PIT TYPE A  
SCALE 1:25

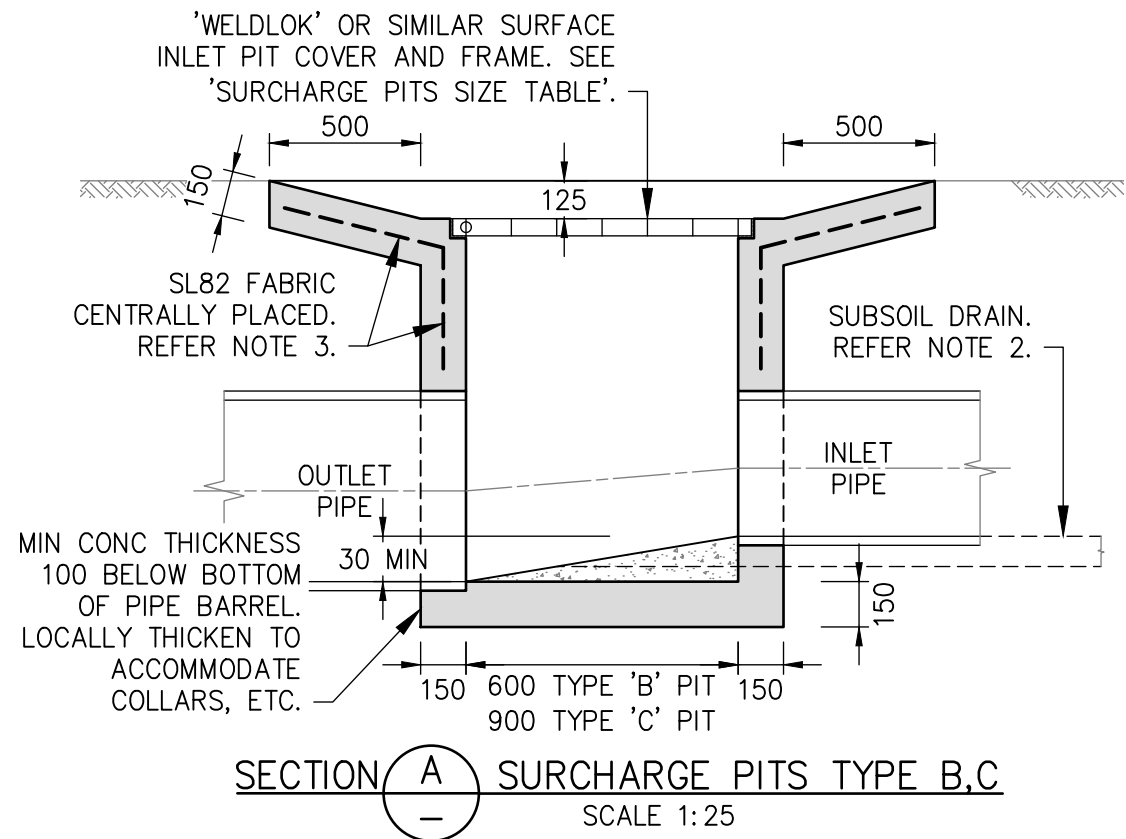
SL82 FABRIC CENTRALLY PLACED. REFER NOTE 3.

PIT	OPENING SIZE	'WELDLOCK' GRATE TYPE
TYPE A	900x900	SPG99BL #
TYPE B	600x900	HPG6090B
TYPE C	900x900	HPG9090B

# GRATE FITTED WITH BOLT DOWN LEGS AS PER DETAIL '1'.

NOTES:

- ALL DIMENSIONS ARE IN MILLIMETRES.
- Ø100 SUBSOIL DRAINAGE PIPE 3000 LONG WRAPPED IN FABRIC SOCK TO BE PROVIDED IN PIPE TRENCHES ADJACENT TO ALL INLET PIPES.
- SL82 REINFORCING FABRIC CENTRALLY PLACED CONTINUALLY AROUND APRON. MESH CAN BE BENT AT CORNERS OR JOINED BY N12 'L' BARS WITH 450 LEGS AT 300 CENTRES.
- COMPRESSIVE STRENGTH OF CONCRETE  $F'_c = 25MPa$  AT 28 DAYS.
- TOP OF BENCHING TO BE ONE THIRD OF OUTLET PIPE DIAMETER.
- PROVIDE CLIMBING IRONS WHERE PIT DEPTH EXCEEDS 1200.
- ALL PIT GRATES ARE TO BE PROVIDED WITH A LOCKING CLIP.
- REFER TO DRAWING No. SD116 FOR GENERAL DETAILS AND DIMENSIONS NOT SHOWN IN THIS DRAWING.
- UNDER NO CIRCUMSTANCES SHALL PRECAST CONCRETE PITS OR PLASTIC PITS BE USED IN PUBLIC ROAD RESERVES OR CAR PARKS.
- PITS DEEPER THAN 1500 TO BE INDIVIDUALLY DESIGNED AND CERTIFIED.
- FORTY EIGHT (48) HOURS NOTICE IS TO BE GIVEN PRIOR TO THE PLACING OF CONCRETE TO ALLOW FOR INSPECTION BY COUNCIL'S OFFICER.



SECTION A SURCHARGE PITS TYPE B,C  
SCALE 1:25

FRAME, GRATE, LEGS AND BASE PLATE TO BE HOT DIP GALVANISED AFTER FABRICATION.

51x51x8 ANGLE LEGS  
6 FILLET WELD TO  
FRAME AND BASE  
PLATE.

75 SQ.x8 PLATE  
WITH 1-Ø16 HOLE  
CENTRAL.

1-M12 150 LONG GALV.  
HOLDING DOWN BOLT WITH  
35 PROJECTION PER LEG.

DETAIL 1  
SCALE 1:10

ISSUE	AMENDMENTS	DRAWN	DATE
A	REVISED ISSUE	TZ	25/01/21



DRAWN .....TZ..  
SCALE AS SHOWN  
SHEET SIZE: **A3**

APPROVED  
*[Signature]*  
GROUP MANAGER  
INFRASTRUCTURE SERVICES  
D.L.

WINGECARRIBEE SHIRE COUNCIL

STANDARD DRAWING  
SURCHARGE PITS

DATE: 25/01/2021 PLAN No: SD127 SHEET 1 OF 1 ISSUE **A**