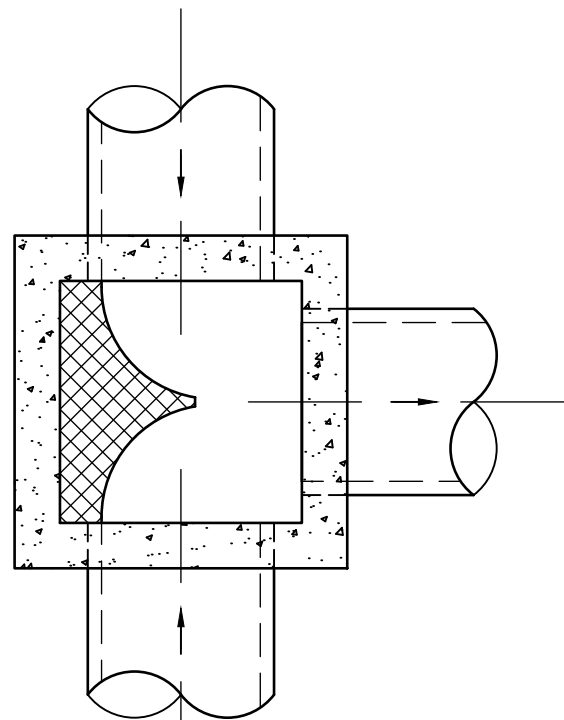
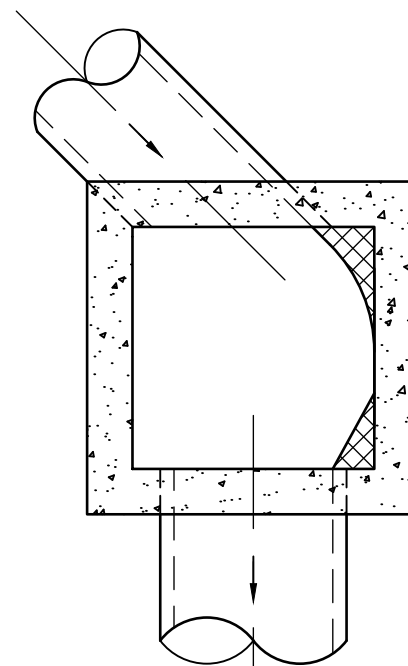


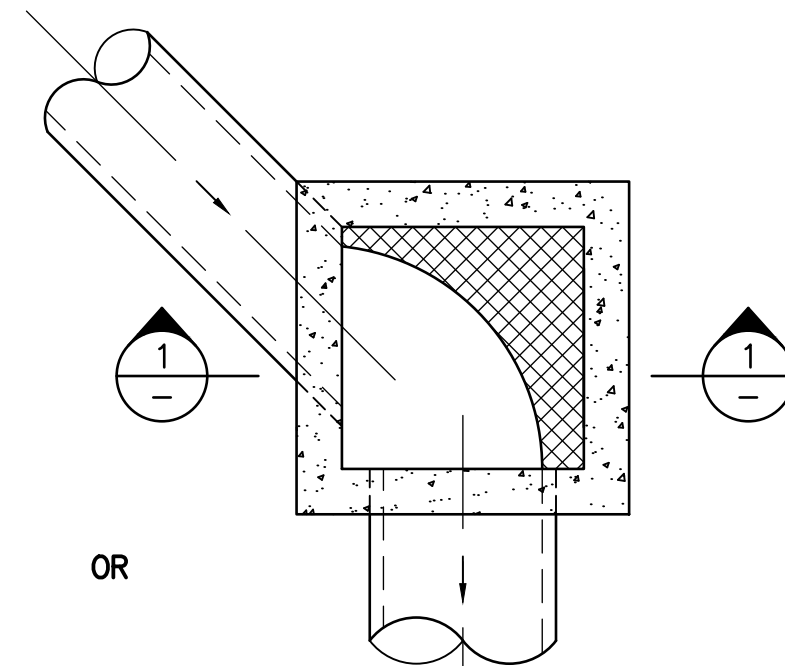
TYPE A



TYPE B

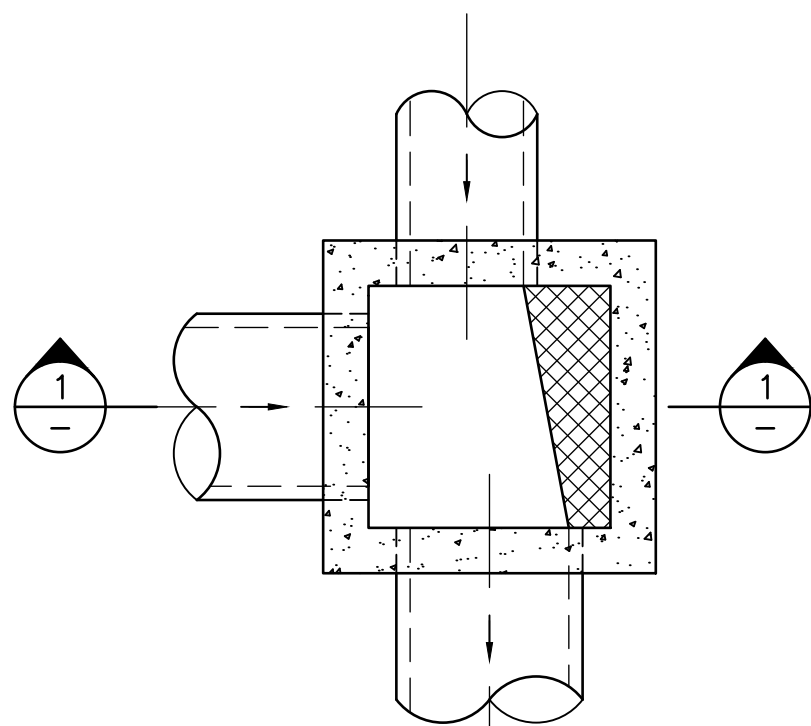


TYPE C

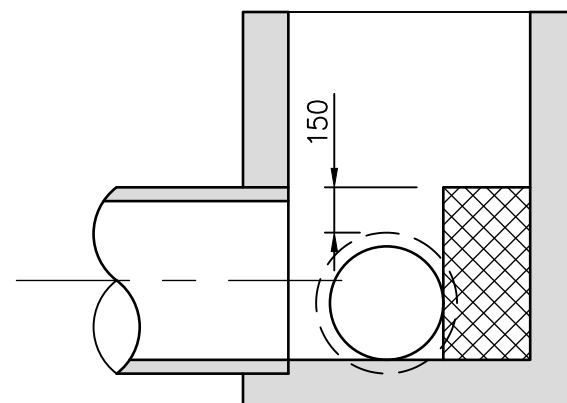


TYPE D

OR



TYPE E



SECTION 1-1

NOTES:

1. FOR DEFLECTION LESS THAN 1:4 FLOW DEFLECTOR NOT REQUIRED.
2. REFER TO DRAWING No. SD116 FOR GENERAL STORMWATER PIT DETAILS AND SD113, 114, 115, 126, 127, 140 & 143 FOR SPECIFIC PIT DETAILS.

A	REVISED ISSUE	SJG	25/01/21
ISSUE	AMENDMENTS	DRAWN	DATE



DRAWN SJG
 NOT TO SCALE
 SCALE
 SHEET SIZE: **A3**

APPROVED

 GROUP MANAGER
 INFRASTRUCTURE SERVICES
 D.L.

WINGECARRIBEE SHIRE COUNCIL			
STANDARD DRAWING FLOW DEFLECTORS IN PITS			
DATE: 25/01/2021	PLAN No: SD124	SHEET 1 OF 1	ISSUE A