

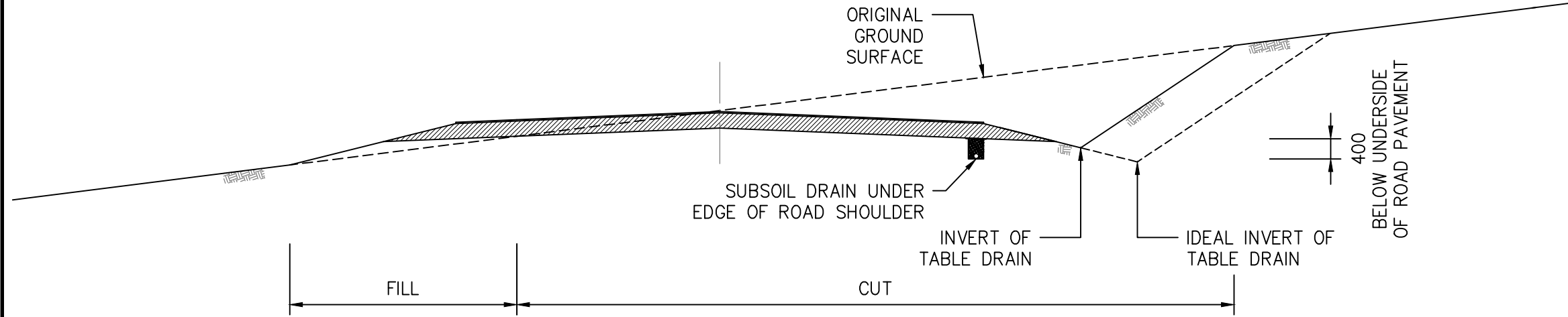
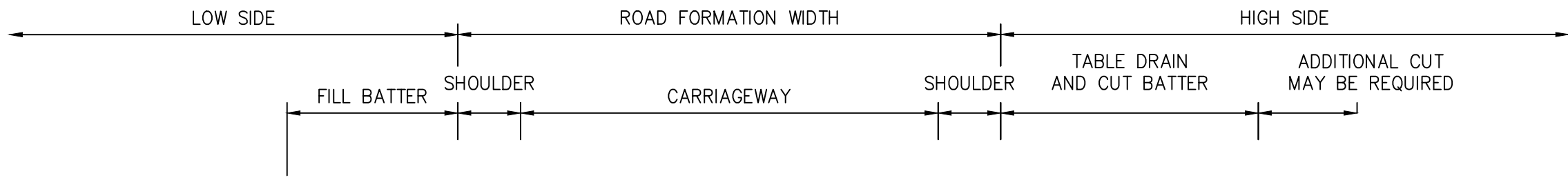
PLAN

LEGEND

- SSMP SUB-SOIL MARKER POST
- SS — SUBSOIL DRAINAGE PIPES
- SS SUBSOIL DRAIN FLUSHING POINT
- STORMWATER PIPED SYSTEM

NOTE:

1. THE OBJECTIVE OF A DEEP TABLE DRAIN OR A SUBSOIL DRAIN IS TO INTERCEPT AND COLLECT GROUND WATER IN CUT SITUATION AND LOWER THE PHREATIC GROUND WATER LEVEL UNDER THE ROAD PAVEMENT WHICH WOULD OTHERWISE QUICKLY REDUCE THE LIFE OF THE ROAD PAVEMENT.
2. WHEREVER THE INVERT OF THE TABLE DRAIN CANNOT MEET THE "400mm MIN. TABLE DRAIN INVERT BELOW UNDERSIDE OF ROAD PAVEMENT" REQUIREMENT IN A 'CUT' SITUATION, SUBSOIL DRAINS ARE TO BE LOCATED ON THE HIGH SIDE OF THE ROAD.
3. REFER SD120C & SD120D FOR FURTHER DETAILS.



SECTION A
SCALE NTS

A	ORIGINAL DRAWING	KSC	25/01/21
ISSUE	AMENDMENTS	DRAWN	DATE



DRAWN KSC
NOT TO SCALE
SCALE
SHEET SIZE: **A3**

APPROVED
[Signature]
GROUP MANAGER
INFRASTRUCTURE SERVICES
D.L.

WINGECARRIBEE SHIRE COUNCIL			
STANDARD DRAWING			
SUBSOIL DRAINS – RURAL ROAD LOCATIONS			
DATE: 25/01/2021	PLAN No: SD120B	SHEET 2 OF 5	ISSUE A