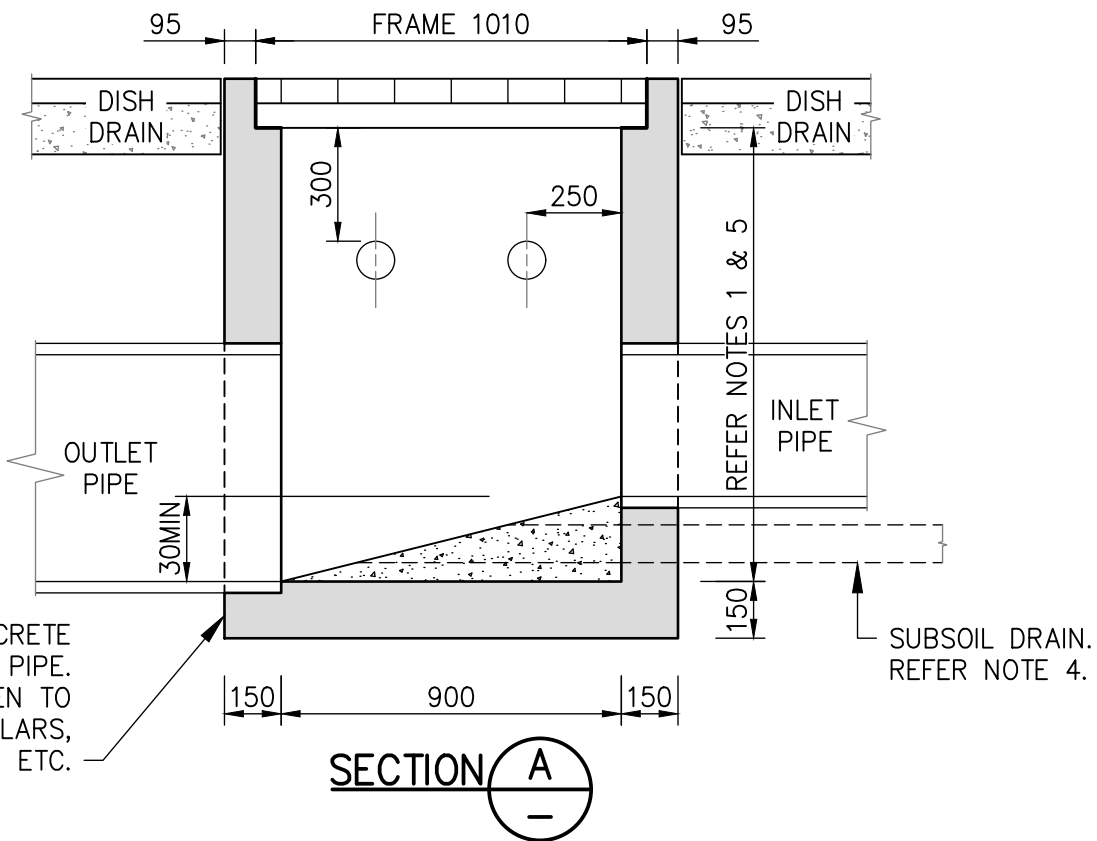
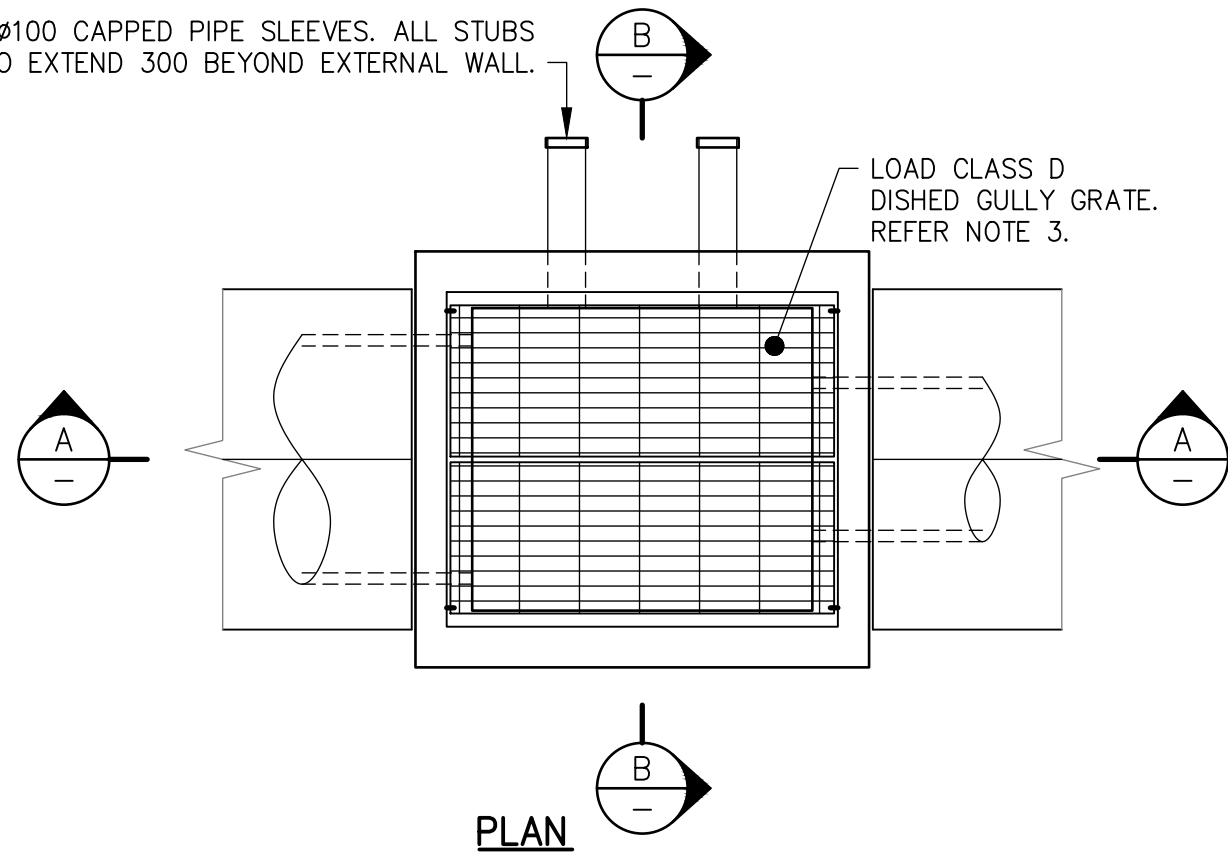


2xØ100 CAPPED PIPE SLEEVES. ALL STUBS TO EXTEND 300 BEYOND EXTERNAL WALL.

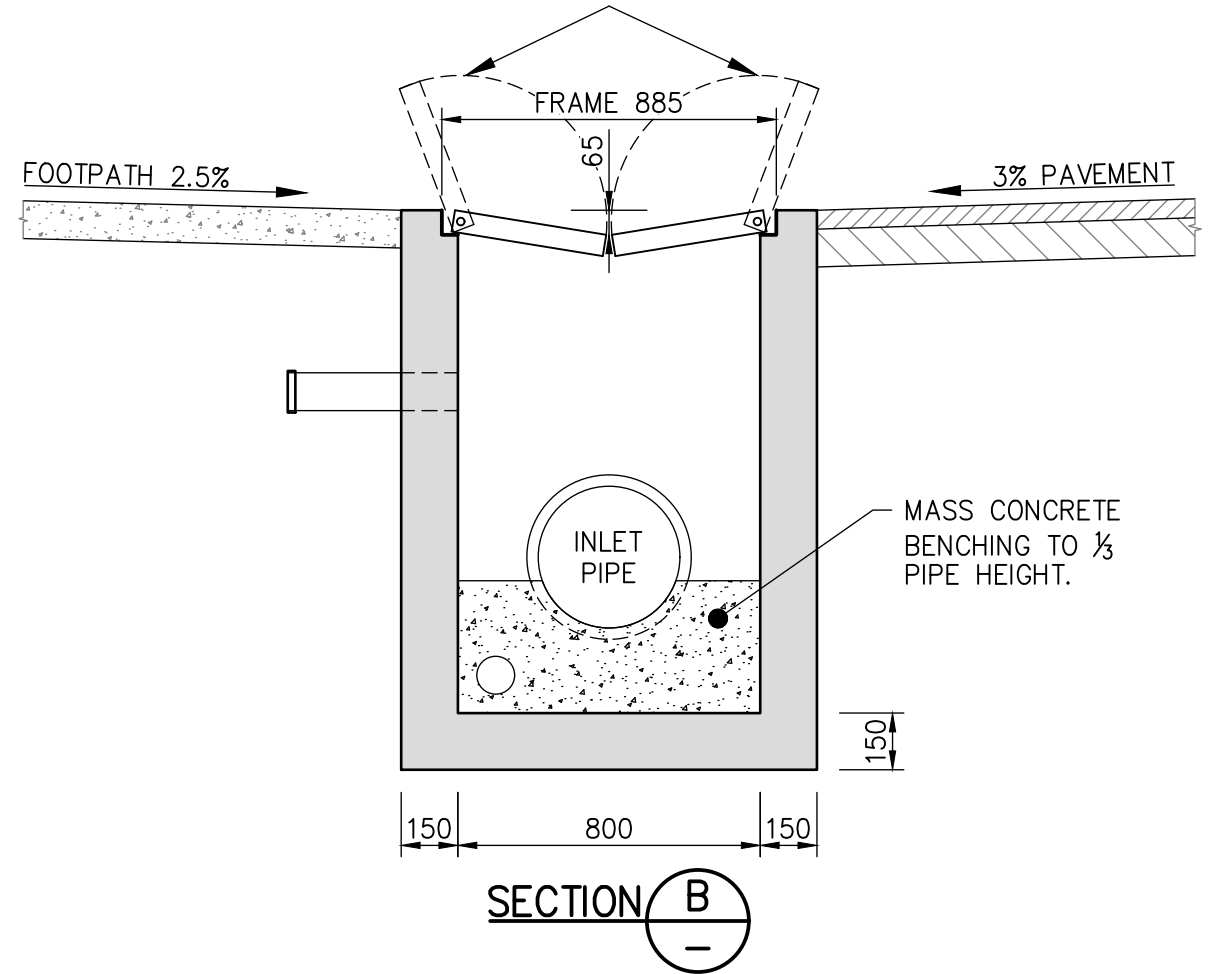
LOAD CLASS D DISHED GULLY GRATE. REFER NOTE 3.



MINIMUM 100 CONCRETE THICKNESS BELOW PIPE. LOCALLY THICKEN TO ACCOMMODATE COLLARS, ETC.

SUBSOIL DRAIN. REFER NOTE 4.

GRATES IN OPEN POSITION



**NOTES:**

1. THIS DRAWING APPLIES TO A MAXIMUM PIPE SIZE OF Ø675 AND A MAXIMUM PIT DEPTH OF 2400. WHERE PIPE OR PIT SIZES EXCEED THESE VALUES, REFER TO SD116.
2. ALL DIMENSIONS ARE IN MILLIMETRES.
3. INSTALL HOT DIPPED GALVANISED CLASS 'D' "WELDLOK DCG0900x0800D-C" HINGED GRATE OR SIMILAR IN ROAD RESERVE. DESIGNER TO SPECIFY CLASS OF PIT COVER/GRATES FOR ALL OTHER LOCATIONS.
4. Ø100 SUBSOIL DRAINAGE PIPE 3000 LONG, WRAPPED IN FABRIC SOCK TO BE PROVIDED IN PIPE TRENCHES ADJACENT TO ALL INLET PIPES.
5. PROVIDE STEP IRONS WHERE PIT DEPTH EXCEEDS 1200.
6. UNDER NO CIRCUMSTANCES SHALL PRECAST CONCRETE OR PLASTIC PITS BE USED IN PUBLIC ROADS OR CAR PARKS.
7. COMPRESSIVE STRENGTH OF CONCRETE  $F'_c = 25MP_a$  AT 28 DAYS.
8. FORTY EIGHT (48) HOURS NOTICE IS TO BE GIVEN PRIOR TO THE PLACING OF CONCRETE TO ALLOW FOR INSPECTION BY COUNCIL'S OFFICER.

A	REVISED ISSUE	TZ	25/01/21
ISSUE	AMENDMENTS	DRAWN	DATE



DRAWN .....TZ..  
 SCALE .....1:20..  
 SHEET SIZE: **A3**

APPROVED  
  
 GROUP MANAGER  
 INFRASTRUCTURE SERVICES  
 D.L.

<b>WINGECARRIBEE SHIRE COUNCIL</b>			
<b>STANDARD DRAWING DISHED GUTTER INLET PIT</b>			
DATE: 25/01/2021	PLAN No: SD115	SHEET 1 OF 1	ISSUE <b>A</b>