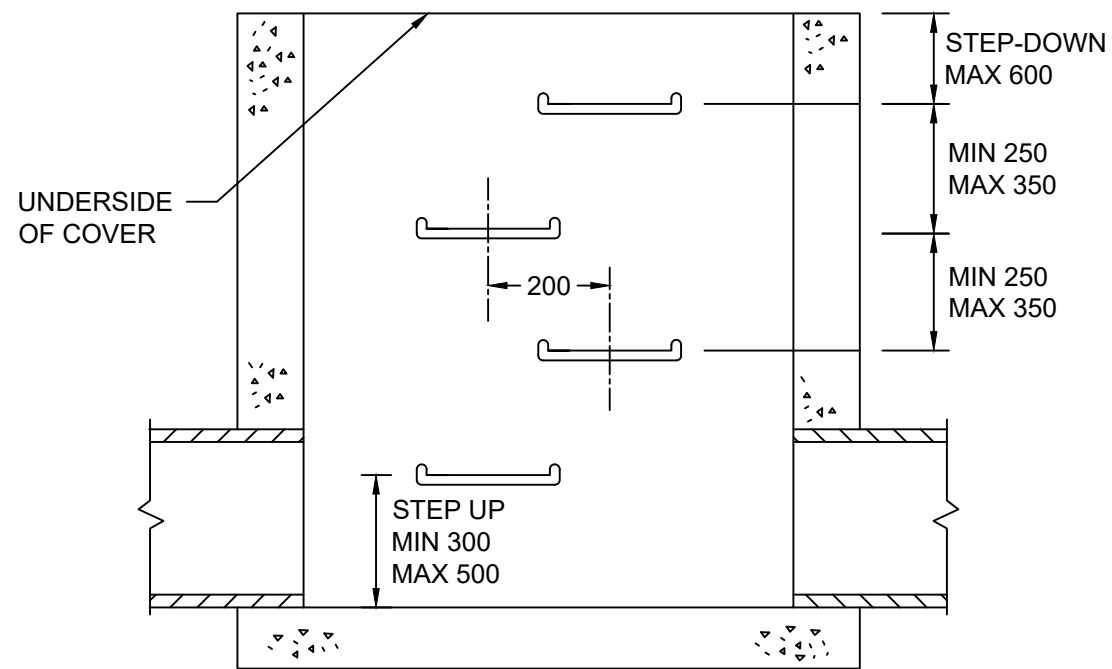
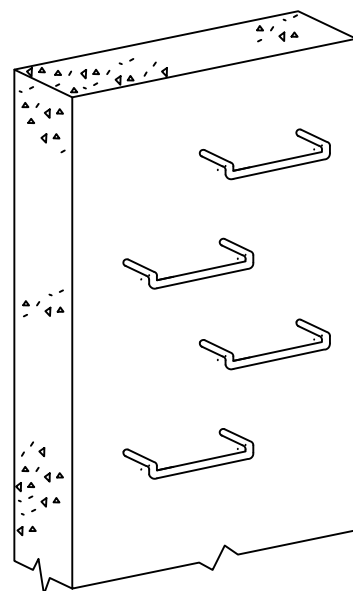


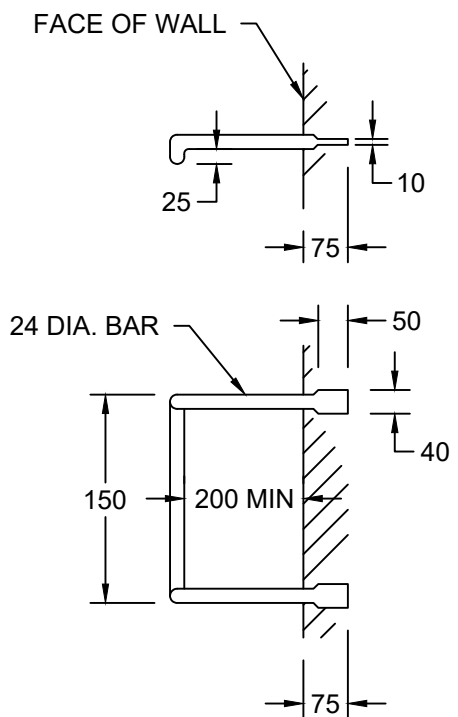
PLAN



SECTION 1
NTS



CLIMB IRONS



NOTES:

1. PITS DEEPER THAN 600mm MUST BE FITTED WITH INDIVIDUAL-RUNG LADDERS.
2. INDIVIDUAL RUNG LADDERS MUST BE LOCATED:
 - DIRECTLY BELOW THE OPENING OF THE COVER.
 - DESIRABLY ON A WALL WITHOUT PIPE OPENINGS.
 - DESIRABLY ON ONE OF THE LONG SIDES OF THE PIT.
3. INDIVIDUAL-RUNG LADDERS MUST COMPLY WITH AS1657.
4. INDIVIDUAL-RUNG LADDERS MUST HAVE SHARP EDGES ROUNDED AND BE HOT DIPPED GALVANIZED AFTER FABRICATION.
5. PROPRIETARY PLASTIC ENCAPSULATED INDIVIDUAL-RUNG LADDERS (OR APPROVED ALTERNATIVE) MAY BE USED.
6. INDIVIDUAL-RUNG LADDERS MUST BE INSTALLED IN ACCORDANCE WITH THE MANUFACTURERS SPECIFICATIONS.
7. ALL DIMENSIONS ARE IN MILLIMETERS UNLESS OTHERWISE STATED.

A	ORIGINAL ISSUE	CDL	25/01/21
ISSUE	AMENDMENTS	DRAWN	DATE



DRAWNCDL
SCALENTS
SHEET SIZE: **A3**

APPROVED
[Signature]
GROUP MANAGER
INFRASTRUCTURE SERVICES
D.L.

WINGECARRIBEE SHIRE COUNCIL			
STANDARD DRAWING			
CLIMB IRONS			
DATE: 25/01/2021	PLAN No: SD158	SHEET 1 OF 1	ISSUE A