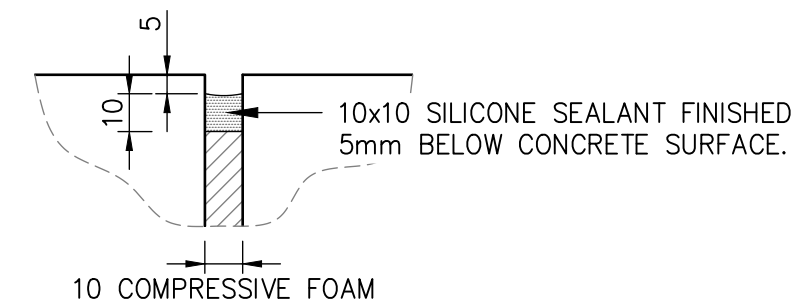
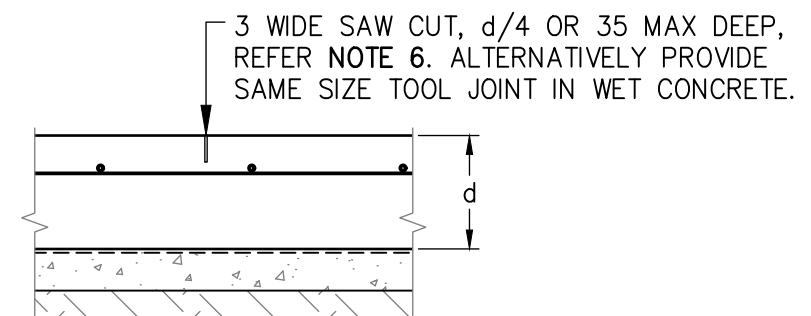


EXPANSION JOINT (E.J.)
SCALE 1:10

SLAB THICKNESS 'd'	Ø DOWEL	DOWEL LENGTH	SPACING
125	R16	300	300
150	R20	350	300
175	R20	350	300
200	R24	350	300





JOINT FILLER DETAIL 
SCALE 1:2



SAW CUT CONTROL JOINT (C.J.)
SCALE 1:10

NOTES:

- ALL DIMENSIONS ARE IN MILLIMETRES.
- THESE DETAILS ARE TYPICALLY RELEVANT TO CONCRETE PATHS AND DRIVEWAY CONSTRUCTION.
- CURE CONCRETE BY KEEPING CONTINUOUSLY WET FOR MINIMUM 3 DAYS AT ANY TIME OF THE YEAR.
- CONCRETE THICKNESS, STRENGTH, STEEL REINFORCEMENT, AND SUB-BASE DETAILS ARE AS PER SEPARATE STANDARD DRAWINGS OR SPECIAL DESIGN.
- THICKEN CONCRETE TO MINIMUM 125mm WHERE EXPANSION JOINT DOWELS ARE REQUIRED.
- INITIAL SAW CUT BE COMPLETED
 - WITHIN 12 HOURS OF PLACING CONCRETE WHEN TEMPERATURE IS 25°C OR HIGHER.
 - WITHIN 16 HOURS OF PLACING CONCRETE WHEN TEMPERATURE IS BELOW 25°.

					DRAWNT.Z..... SCALE, AS SHOWN SHEET SIZE: A3	APPROVED  GROUP MANAGER INFRASTRUCTURE SERVICES D.L..	WINGECARRIBEE SHIRE COUNCIL			
							STANDARD DRAWING			
				REINFORCED CONCRETE JOINT DETAILS						
A	NEW STANDARD DRAWING	T.Z.	25/01/21	DATE: 25/01/2021	PLAN No: SD151	SHEET 1 OF 1	ISSUE A			
ISSUE	AMENDMENTS	DRAWN	DATE							